

Safety Valves

Type 06810, Type 06815 - O-ring



Safety Valves, angle type, stainless steel, type tested, TÜV-SV.1130. S/G/L

Standard safety valve
with O-ring valve seal, "cleaned and degreased"
closed bonnet, gastight cap or lifting device
Inlet: male thread type G (BSPP) acc. to ISO 228/1
Outlet: female thread type G (BSPP) acc. to ISO 228/1

Part No. 06810.X.000002N (Pmax 16.0 bar)
with NBR O-ring valve seal

Part No. 06810.X.000002F (Pmax 180.0 bar)
with FKM O-ring valve seal

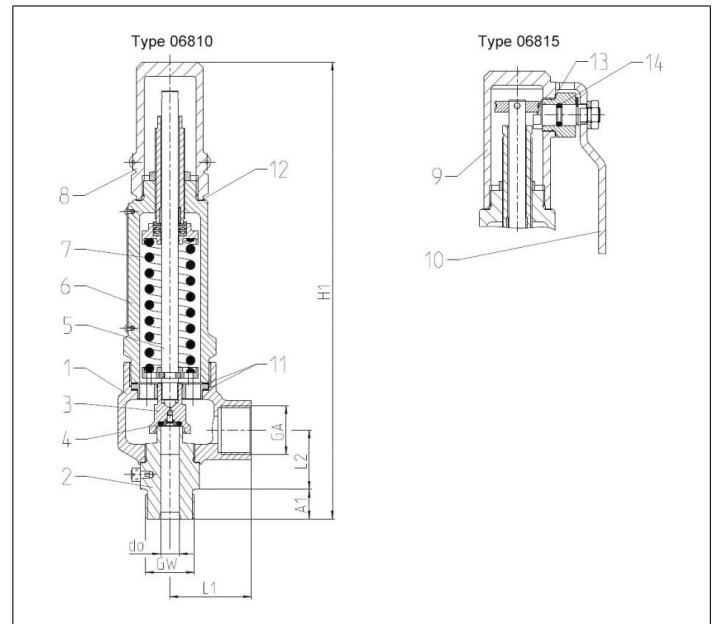
Available options - on request only:
· Flange-, NPT- or Tri-Clamp connection for in- and outlet



Applications:

Provided as safety device for protection against excessive pressure in gas cylinders and pressure vessels. Approved for gases and liquids, suitable for horizontal installation from 20 bar. Temperature limits for the use of O-ring soft seal depend on medium and working conditions. Our technical department is at your disposal to check the compatibility of your working conditions.

Materials	DIN EN	ASME/ASTM
1 Outlet body	1.4408	A 351 CF8M
2 Inlet body	1.4571	A 276 Grade 316Ti
3 Disc	1.4571	A 276 Grade 316Ti
4 O-ring	NBR or FKM	
5 Stem	1.4404	A 276 Grade 316L
6 Bonnet	1.4408	A 351 CF8M
7 Spring	1.4571	A 313 Grade 316Ti
8 Cap	1.4408	A 351 CF8M
9 Lifting cap	1.4408	A 351 CF8M
10 Lever	1.4301	A 276 Grade 304
Spare Parts		
3 Complete disc	1.4571+NBR or FKM	316Ti + NBR or FKM
4 O-ring + screw	NBR or FKM	
11 Gasket	1.4404 Graphite	316L Graphite
12 Gasket	PTFE	
13 Gasket	PTFE	
14 O-ring	FPM (VITON)	



Standard marking acc. to Pressure Equipment Directive 2014/68/EU (PED).



Type 06810, 06815	Technical Data			
D ₀	[mm]	10		
Inlet	GW	1/2	1/2	3/4
Outlet	GW	1/2	3/4	3/4
Dimension code	.X.	1022	1023	1033
Height	H1	245.0	245.0	245.0
Length	L1	44.0	44.0	44.0
Length	L2	29.0	29.0	29.0
Length	A1	14.0	14.0	16.0
Weight 06810	ca. kg	1.8	1.8	1.8
Weight 06815	ca. kg	2.0	2.0	2.0
Coeff. of discharge	α_w S/G/L	0.50	0.50	0.50
Min. set pressure	bar-g	3.0	3.0	3.0
Max. set pressure	bar-g	180.0	180.0	180.0

Dimensions in mm.

Safety Valves

Type 06810, Type 06815 - O-ring



Discharge capacities

Calculation of flow rate acc. to AD2000-Merkblatt A2 / DIN EN ISO 4126-1

Medium:

A = Saturated steam in kg/h

B = Air in m³/h at 0°C and 1013,25 mbar

C = Water in kg/h at 20°C

The capacity indicated below is for a fully opened valve.

d_0 - orifice

A_0 - flow area

Set pressure in bar (g)	GW	1/2, 3/4 & 1		
	d_0 (mm)	10.0		
	A_0 (mm ²)	78.5		
	Medium	A	B	C
3.0	-	116	3632	
4.0	-	145	4194	
5.0	-	175	4689	
6.0	-	205	5137	
7.0	-	234	5548	
8.0	-	264	5931	
9.0	-	294	6291	
10.0	-	324	6631	
12.0	-	384	7264	
14.0	-	443	7846	
16.0	-	503	8388	
18.0	-	562	8897	
20.0	-	627	9378	
25.0	-	777	10485	
30.0	-	936	11486	
35.0	-	1087	12406	
40.0	-	1249	13262	
45.0	-	1402	14067	
50.0	-	1568	14828	
60.0	-	1890	16243	
70.0	-	2216	17545	
80.0	-	2546	18756	
90.0	-	2878	19894	
100.0	-	3212	20970	
110.0	-	3531	21993	
120.0	-	3877	22971	
130.0	-	4197	23909	
140.0	-	4549	24812	
150.0	-	4872	25683	
160.0	-	5213	26525	
170.0	-	5537	27341	
180.0	-	5861	28134	