

Pressure Regulator

Type 4182-3 - CombiPressure-Regulator



Cryogenic-Pressure Regulator, stainless steel, PN50

Set point range from 2.0 up to 38.0 bar

Connections: male thread for union connection, BSPP (G) or M thread

Cleaning Standard: " cleaned and degreased for oxygen service " - **for oxygen (O₂) max. 30,0 bar / +60°C / 140°F (333K)**
complete with installed strainer screens - mesh size 0.25 mm - on connection A and B

Part No. 4182.X.3100* Set point range 2.0 up to 10.0 bar
set at 8.0 bar unless otherwise noted on purchase order

Part No. 4182.X.3200* Set point range 8.0 up to 22.0 bar
set at 12.0 bar unless otherwise noted on purchase order

Part No. 4182.X.3300* Set point range 20.0 up to 38.0 bar
set at 20.0 bar unless otherwise noted on purchase order

*connection C: 1 = M thread (cone connection 37°), 2 = BSPP (G) thread (cone connection 60°)

Available options - on request only:

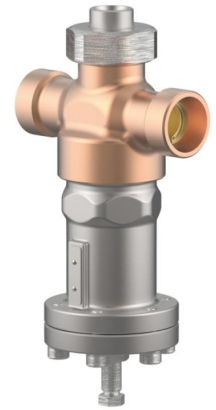
- Further connections
- With check unit type 66044

Applications:

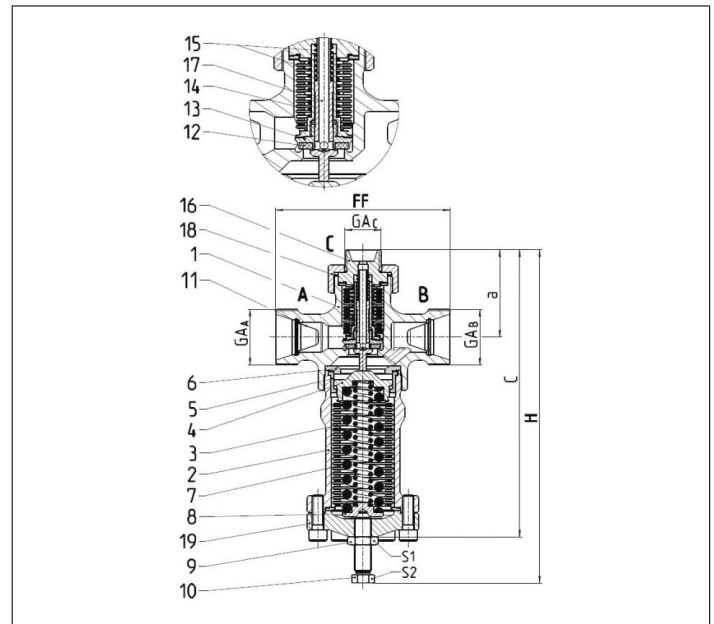
Approved for air gases, vapours and cryogenic liquefied gases incl. LNG.

Working temperature: -196°C / -321°F (77K) up to +60°C / 140°F (333K)

Ambient temperature: -40°C / -40°F (233K) up to +65°C / 149°F (338K)



Materials	DIN EN	ASTM
1 Body	CC491K	C83600
2 Bonnet (cover)	CC491K	C83600
3 Bellow	1.4571	316Ti
4 Spring plate	1.4571	316Ti
5 Lift stopper	1.4571	316Ti
6 Lift stopper	1.4571	316Ti
7 Spring	1.4310	313
8 Spring clamp	1.4301	304
9 Locking nut	1.4301	304
10 Set point adjuster	1.4301	304
11 Strainer (option)	CW452K	C51900
12 Valve seal	PTFE	
13 Bellow disc	CW614N	C38500
14 Bellow	1.4571	316Ti
15 Bellow spring	1.4571	316Ti
16 Connection fitting	CC493K	C93200
17 Tubular overflow	CW614N	C38500
18 Union nut	1.4301	304
19 Flange cover	1.4308	CF8



Standard marking acc. to Pressure Equipment Directive 2014/68/EU (PED).



Type 4182	Technical data		
Nominal size	DN	20	20
Dimension code	.X.	MM04020	MG12000
Face-to-face dimension	FF	125	125
Height	H	239	239
Thread	GA _A	M40x2.0	G 1-1/4
Thread	GA _B	M40x2.0	G 1-1/4
Thread	GA _C	M26x1.5	G 3/4
Length	a	63	63
Length	c	206	206
Wrench size across flats	S ₁	19	19
Wrench size across flats	S ₂	14	14
Weight	ca. kg	3.5	3.5
Kvs-Value	m ³ /h	3.2	3.2
Cv-Value	gal/min	3.7	3.7

Dimensions in mm.

Essential: Please confirm pressure range and valve set pressure on purchase order