

# Actuated Valves and Actuators

## Type 01423 - Actuated Top-Entry-Valve



### Cryogenic-Globe Valves with Pneumatic Actuator, PN50 (DN100=PN40)

Stainless steel body and topwork

"live loaded" gland packing

"cleaned and degreased for oxygen service" - the actuator is not cleaned and degreased for oxygen

#### Part No. 01423.X.3081

Butt weld connection for stainless steel pipes acc. to ISO 1127 or ASTM A312

Available accessories/options - on request only:

- Solenoid valve · Limit switch · Electropneumatic positioner etc.
- Extension H and E acc. to customer specification
- Actuator "cleaned and degreased for oxygen service"
- Valve with check disc, valve with control disc (tapered design)

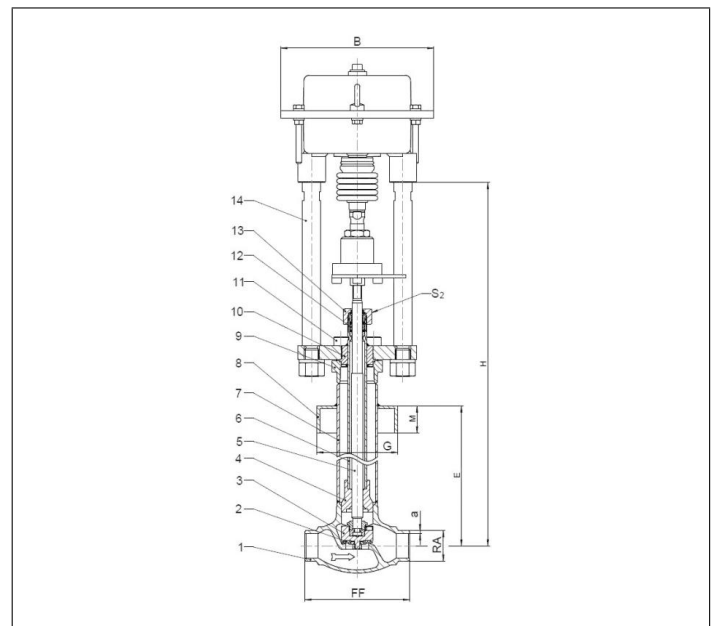


#### Applications:

Approved for air gases, vapours and cryogenic liquefied gases incl. LNG.

Working temperature: -196°C / -321°F (77K) up to +120°C / +248°F (393K)

| Materials          | DIN EN                     | ASTM             |
|--------------------|----------------------------|------------------|
| 1 Body             | 1.4308                     | A 351 CF8        |
| 2 Valve seal       | PTFE / Carbon filled (25%) |                  |
| 3 Disc             | 1.4301                     | A 276 Grade 304  |
| 4 Guide bush       | CC493K                     | B 505 UNS C93200 |
| 5 Stem             | 1.4301                     | A 276 Grade 304  |
| 6 Elongation tube  | 1.4541                     | A 213 TP 321     |
| 7 Elongation tube  | 1.4541                     | A 213 TP 321     |
| 8 Cold box feature | 1.4301                     | A 276 Grade 304  |
| 9 Headpiece flange | 1.4301                     | A 276 Grade 304  |
| 10 Headpiece       | 1.4301                     | A 276 Grade 304  |
| 11 Bolts           | 1.4301/A2                  | A 194 B8         |
| 12 Gland packing   | Graphite / PTFE            |                  |
| 13 Gland nut       | 1.4404                     | A276 Grade 316L  |
| 14 Pillars         | 1.4404                     | A276 Grade 316L  |



Standard marking acc. to Pressure Equipment Directive 2014/68/EU (PED).



| Type 01423 - Standard design  | Technical data    |                                |       |       |       |       |       |       |        |  |
|-------------------------------|-------------------|--------------------------------|-------|-------|-------|-------|-------|-------|--------|--|
|                               | DN                | 15                             | 20    | 25    | 40    | 50    | 65    | 80    | 100    |  |
| Nominal size                  | DN                | 15                             | 20    | 25    | 40    | 50    | 65    | 80    | 100    |  |
| Dimension code                | .X.               | 1521                           | 2026  | 2533  | 4048  | 5060  | 6573  | 8088  | 0114   |  |
| Face-to-face dimension        | FF                | 85                             | 100   | 115   | 130   | 155   | 205   | 245   | 280    |  |
| Height                        | H                 | 785                            | 790   | 790   | 795   | 895   | 1105  | 1110  | 1290   |  |
| Actuator-Ø                    | B                 | dependent on actuator          |       |       |       |       |       |       |        |  |
| Outside pipe-Ø ASTM A312      | RA                | 21.34                          | 26.67 | 33.40 | 48.26 | 60.33 | 73.00 | 89.00 | 114.30 |  |
| Wall thickness pipe ASTM A312 | a                 | dimensions acc. to S10 or S40  |       |       |       |       |       |       |        |  |
| Length                        | E                 | 540                            | 540   | 540   | 540   | 610   | 610   | 640   | 750    |  |
| Length                        | G                 | acc. to customer specification |       |       |       |       |       |       |        |  |
| Length                        | M                 | acc. to customer specification |       |       |       |       |       |       |        |  |
| Wrench size across flats      | S <sub>2</sub>    | 30                             | 30    | 30    | 36    | 36    | 41    | 41    | 41     |  |
| Stroke                        | mm                | 10                             | 7     | 9     | 11    | 15    | 23    | 23    | 30     |  |
| Weight without actuator       | ca. kg            | 5.5                            | 6.0   | 7.0   | 10.0  | 11.5  | 28.3  | 34.3  | 49.2   |  |
| Kvs-Value                     | m <sup>3</sup> /h | 4.3                            | 6.7   | 11.5  | 20.6  | 37.1  | 71.1  | 104.0 | 168.0  |  |
| Cv-Value                      | gal/min           | 5.0                            | 7.8   | 13.4  | 26.3  | 43.2  | 83.2  | 121.7 | 196.6  |  |

Dimensions in mm.